



*Your Partner in Parts & Equipment*

# **ILLUSTRATED PARTS MANUAL**

**American Super Sylon 8 Roll Flatwork Ironer**

**Class 128**

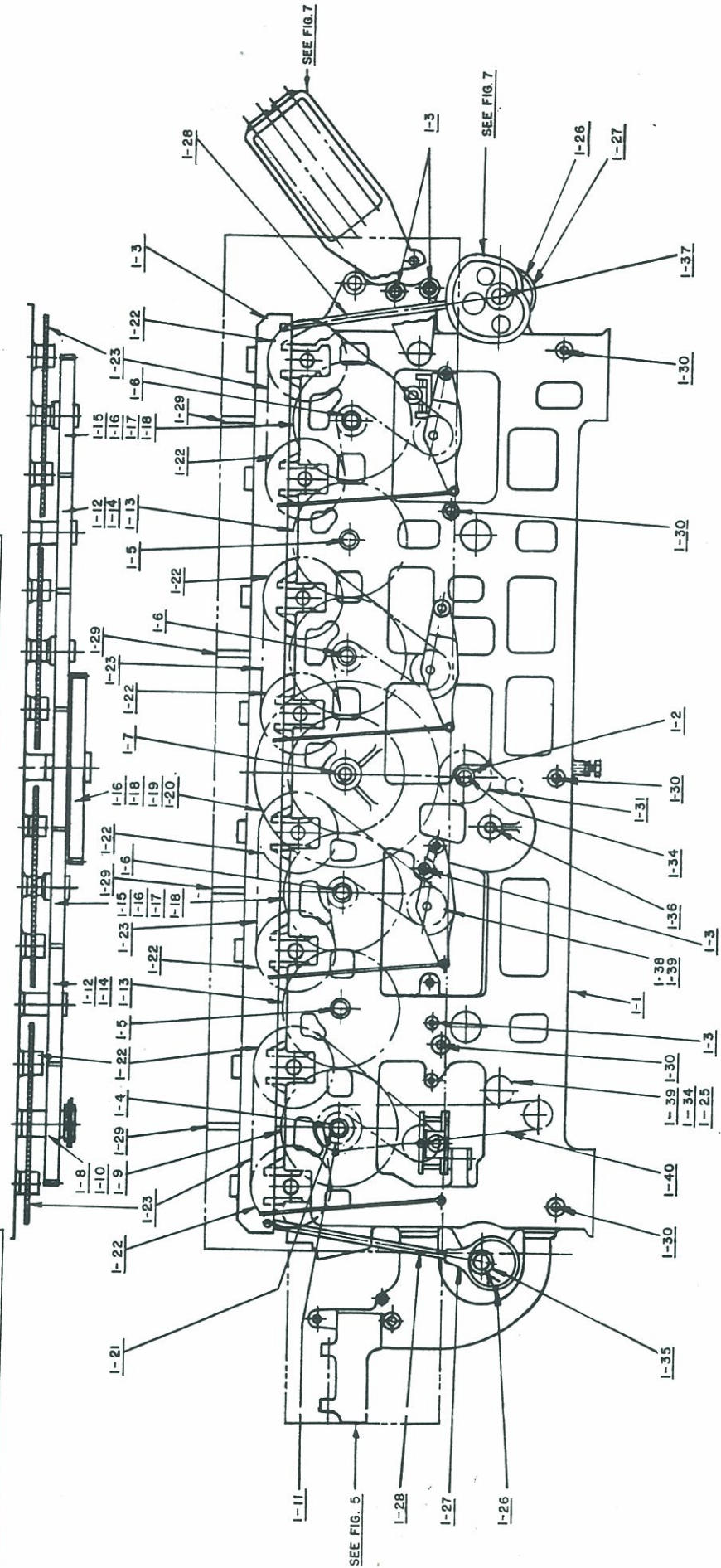
# ILLUSTRATED PARTS MANUAL

## American SUPER SYLON 8 Roll Flatwork Ironer

### CONTENTS

R.H. Outside Elevation	FIGURE Figure 1
L.H. Outside Elevation	Figure 2
Sectional Elevation of Inside R.H. Frame	Figure 3
Sectional Elevation of Inside L.H. Frame	Figure 4
Typical R.H Front End	Figure 5
Typical L.H. Front End	Figure 6
Typical Delivery End	Figure 7
Typical Inside Section Front End	Figure 8
Typical Inside Section Delivery End	Figure 9
Section of Clutch and Drive Sheave	Figure 10
Rolls and Padding List	Figure 11
Delivery Table	Figure 12
Raising Rig Assembly	Figure 13
Miscellaneous	Figure 14
Guide Roll Box Assemblies	Figure 15
Ironer Pressure Indicator	Figure 16
Tape Device	Figure 17
Vacuum System	Figure 18

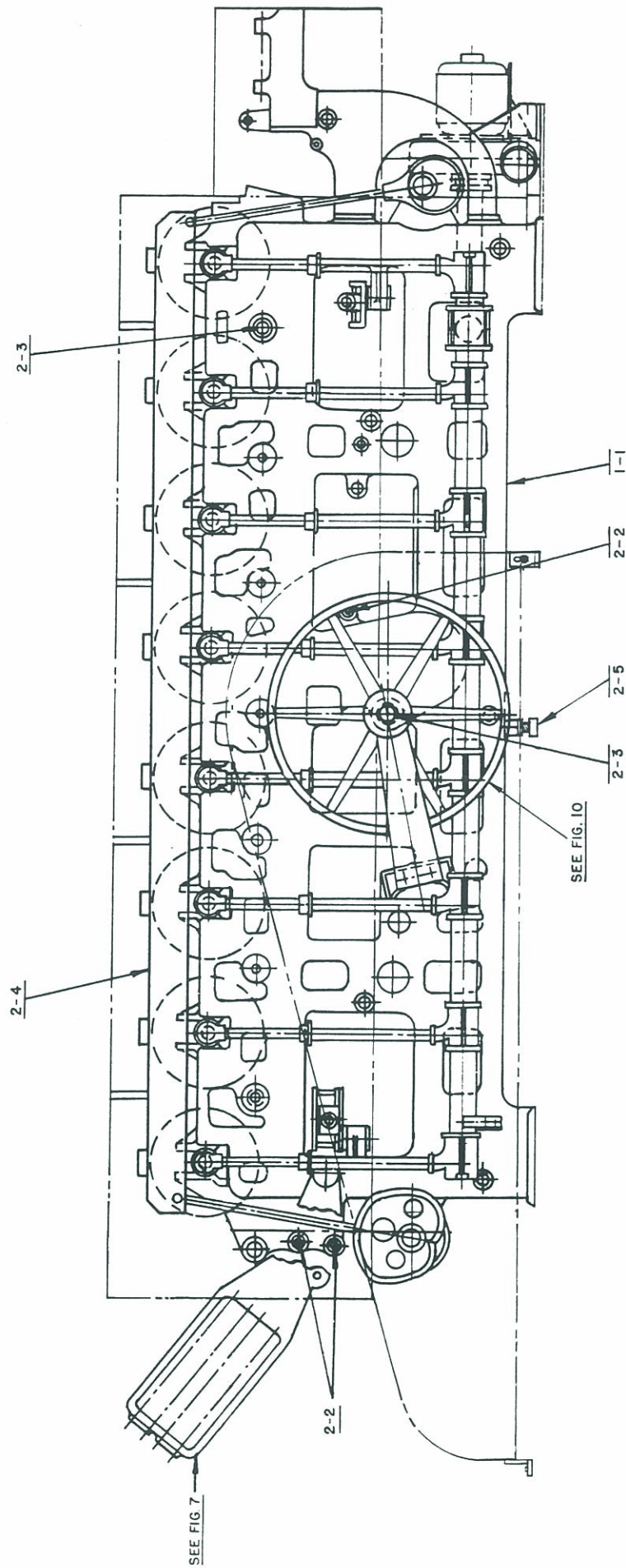
ITEM	NAME OF PART	ITEM	NAME OF PART	ITEM	NAME OF PART
1-1	R. H. FRAME	1-15	GEAR & SPROCKET ASSEM. 128-042	1-28	ECCENTRIC ROD
1-2	BUSHING	1-16	80T - 5P - GEAR	1-29	SUPPORT STUD
1-3	BUSHING	1-17	12T - 1" P. SPROCKET	1-30	TIE ROD 120"
1-4	BUSHING	1-18	NEEDLE BEARING, GB-3228 TORRINGTON CO.	1-31	40T - 8P HERRINGBONE PINION
1-5	STUD	1-19	HERRINGBONE GEAR ASSEM.	1-32	PRESSURE BAR
1-6	STUD	1-20	HERRINGBONE GEAR 216T. 8P	1-33	RAISE RIG IDLER STUD
1-7	STUD	1-21	SHAFT 120"	1-34	DRIVE SHAFT 120"
1-8	GEAR & SPROCKET ASSEME.	1-22	ROLL SPROCKET	1-35	ECCENTRIC SHAFT (FRONT) 120"
1-9	80T - 5P - GEAR	1-23	ROLL CHAIN 1" P. 92 LINKS	1-36	ECCENTRIC SHAFT (CENTER) 120"
1-10	24T - 3/4" P. SPROCKET	1-24	RAISE RIG SPROCKET 15T - 3/4 P.	1-37	ECCENTRIC SHAFT (REAR) 120"
1-11	12T - 1" P. SPROCKET	1-25	IDLER ASSEM.	1-38	IDLER SPROCKET ASSEM.
1-12	IDLER GEAR ASSEM.	1-26	ECCENTRIC	1-39	OILITE BEARING, A-1205 CHRYSLER CORP. AMPLEX DIV.
1-13	80T - 5P - GEAR	1-27	ECCENTRIC STRAP	1-40	RAISE RIG CHAIN 92 LINKS 3/4" P.
1-14	NEEDLE BEARING, GB-3228 TORRINGTON CO.				



R. H. OUTSIDE ELEVATION  
B ROLL SUPER SYLON F.W. IRONER

FIGURE 1

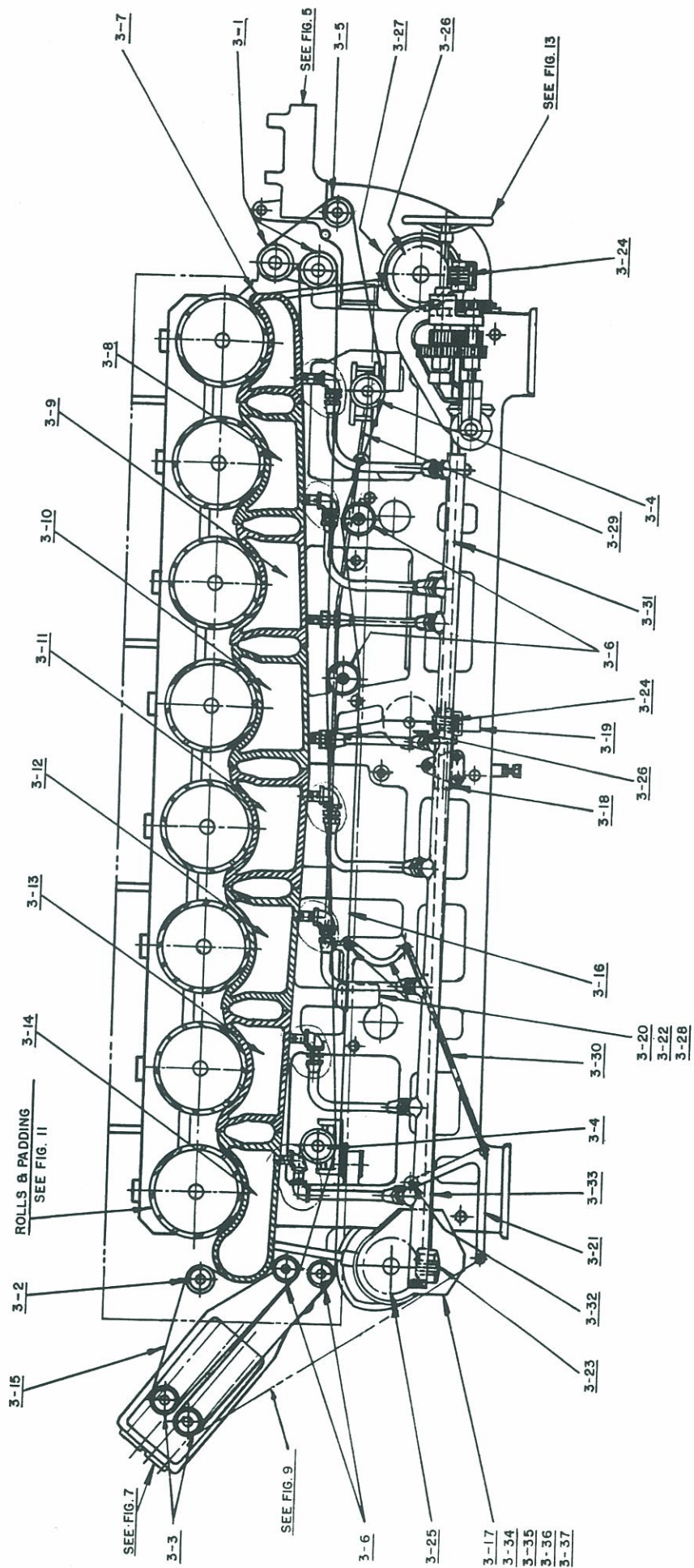
ITEM	NAME OF PART
2-1	L. H. FRAME
2-2	BUSHING
2-3	BUSHING
2-4	PRESSURE BAR
2-5	JACK SCREW



L.H. OUTSIDE ELEVATION  
8 ROLL SUPER SYLON F.W. IRONER

FIGURE 2

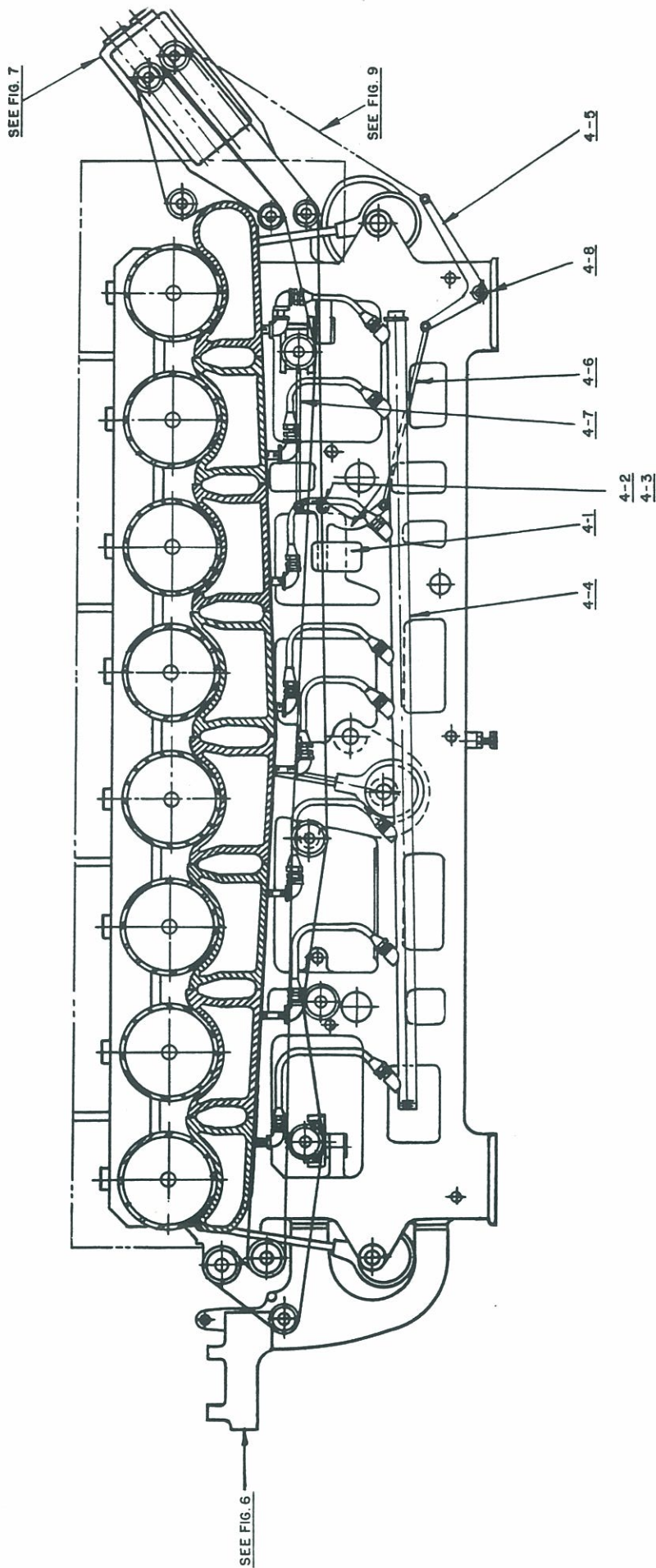
ITEM	NAME OF PART	ITEM	NAME OF PART
3-1	APRON DRIVE ROLL 120"	3-20	WEIGHT
3-2	SPIRAL TENSION ROLL "	3-21	BELL CRANK, REAR
3-3	SPIRAL ROLL "	3-22	BELL CRANK (WEIGHTED)
3-4	APRON GUIDE ROLL "	3-23	RIGHT WORM
3-5	FRONT APRON IDLER ROLL "	3-24	LEFT WORM
3-6	APRON IDLER ROLL "	3-25	RIGHT WORM GEAR
3-7	1ST, STEAM CHEST "	3-26	LEFT WORM GEAR
3-8	2ND, STEAM CHEST "	3-27	WORM GEAR COVER
3-9	3RD, STEAM CHEST "	3-28	STUD
3-10	4TH, STEAM CHEST "	3-29	CONNECTING ROD
3-11	5TH, STEAM CHEST "	3-30	CONNECTING ROD
3-12	6TH, STEAM CHEST "	3-31	WORM SHAFT
3-13	7TH, STEAM CHEST "	3-32	STUD
3-14	8TH, STEAM CHEST "	3-33	R. H. STEAM MANIFOLD (INLET)
3-15	UPPER APRON "	3-34	WORM SHAFT BRG. BRACKET
3-16	LOWER APRON "	3-35	BUSHING
3-17	WORM SHAFT BEARING (REAR)	3-36	SLINGER
3-18	CENTER WORM SHAFT BEARING	3-37	PIN
3-19	WORM OIL WELL		



SECTIONAL ELEVATION OF INSIDE OF R. H. FRAME  
6 ROLL SUPER SYLON F.W.I.

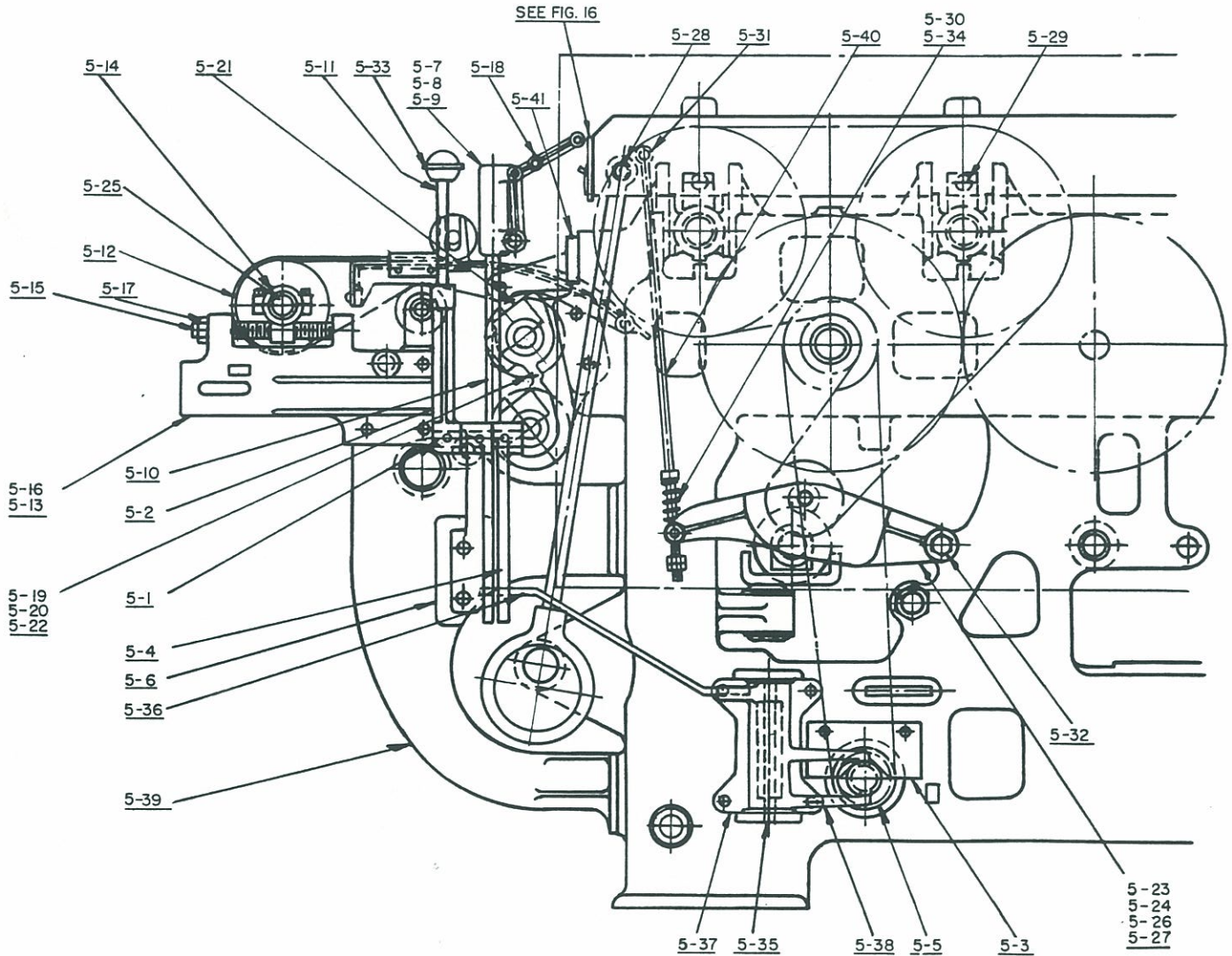
FIGURE 3

ITEM	WEIGHT	NAME OF PART
4-1		BELL CRANK (WEIGHTED)
4-2		STUD
4-3		L.H. MANIFOLD ASSEM. (OUTLET)
4-4		BELL CRANK (REAR)
4-5		CONNECTING ROD (LOWER)
4-6		CONNECTING ROD (UPPER)
4-7		STUD
4-8		



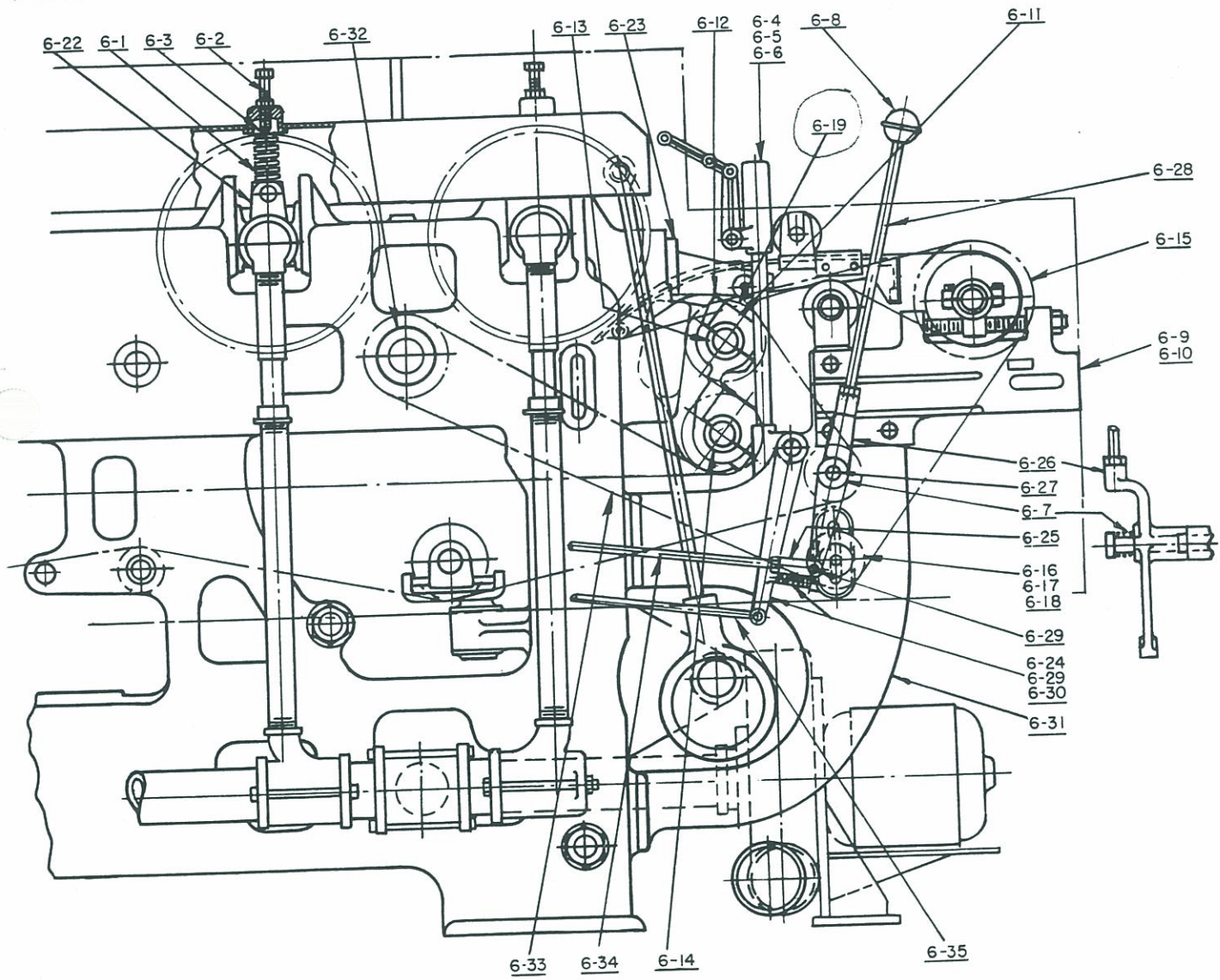
SECTIONAL ELEVATION OF INSIDE OF L.H. FRAME  
8 ROLL SUPER SYLON F.W.I.

ITEM	NAME OF PART	ITEM	NAME OF PART
5-1	SHIFT LEVER PIN	5-22	BRACKET
5-2	SHIFT LEVER	5-23	ASSEM. CHAIN IDLER LEVER
5-3	SUPPORT PLATE	5-24	LEVER
5-4	LOWER SHIFT LEVER	5-25	BUSHING
5-5	SHIFTER SPOOL	5-26	SWIVEL PIN
5-6	SHIFTER LEVER BRACKET	5-27	SPROCKET AXLE
5-7	R.H. FINGER GUARD SUPPORT ASSY.	5-28	PIN FOR PENDULUM BOLT
5-8	R.H. CASTING FOR FINGER GUARD	5-29	PIN FOR ROLL BOX
5-9	COUPLING	5-30	SPRING
5-10	SUPPORT ROD	5-31	PIN
5-11	SHIFT LEVER EXTENSION	5-32	STUD
5-12	RIBBON	5-33	SHIFTER KNOB
5-13	ASSY. UPPER R.H. RIBBON FD. BKT.	5-34	SPACER ON ROD
5-14	BEARING ASSEM.	5-35	CLUTCH SHIFTER SHAFT
5-15	TAKE UP SCREW	5-36	CLUTCH SHIFTER EXTENSION
5-16	R. H. BRACKET	5-37	SUPPORT BRACKET
5-17	HEX. COLLAR	5-38	CLUTCH SHIFTER
5-18	ASSEM. FINGER GUARD 120"	5-39	LOWER R.H. RIBBON FEED BRKT.
5-19	ASSEM. R.H. BEARING BRKT.	5-40	CONNECTING ROD
5-20	BUSHING	5-41	R.H. BRKT. FOR STL. FEED BOARD
5-21	CAP		



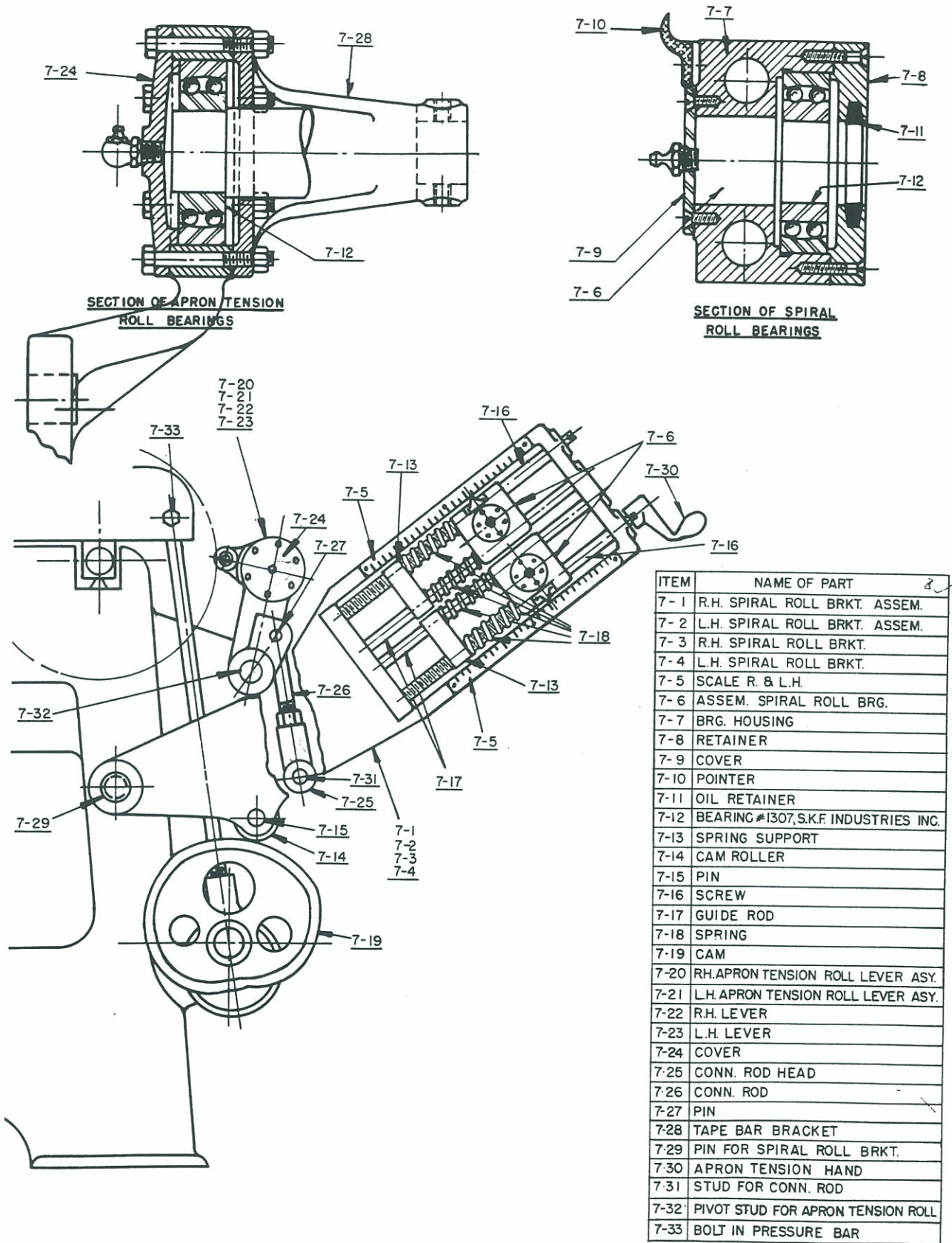
TYPICAL R.H. FRONT END (SIDE ELEVATION)  
8 ROLL SUPER SYLON FW IRONERS

ITEM	NAME OF PART		
6-1	PRESSURE SPRING	6-19	APRON ROLL SPROCKET 2IT. 3/4" P.
6-2	SPECIAL SCREW	6-20	BRKT. FOR ROD BEARING (NOT SH.)
6-3	PRESSURE SPRING CAP	6-21	BEARING (NOT SHOWN)
6-4	L.H. FINGER GUARD SUPPORT ASSM.	6-22	ROLL BOX ASSEM.
6-5	L.H. CASTING FOR FINGER GUARD	6-23	L.H. BRACKET FOR FEED BOARD
6-6	COUPLING FOR FINGER GUARD	6-24	LEVER FOR FINGER GUARD
7	SPRING	6-25	YOKE
3	SHIFTER, KNOB	6-26	LEVER
6-9	ASSM. UPPER L.H. RIBBON FEED BRK.	6-27	STUD
6-10	L.H. BRACKET	6-28	LEVER EXTENSION
6-11	ASSM. L.H. APRON DRIVE ROLL BRK.	6-29	PIN
6-12	L.H. BRACKET	6-30	SPRING FOR FINGER GUARD
6-13	UPPER BUSHING	6-31	L.H. LOWER RIBBON FEED BRKT.
6-14	LOWER BUSHING	6-32	DRIVE SPROCKET 20T-3/4" P.
6-15	FEED ROLL SPROCKET, 32T-3/4" P.	6-33	DRIVE CHAIN 3/4" P.-148 LINKS
6-16	IDLER SPROCKET, 15T-3/4" P.	6-34	CLUTCH SHIFT ROD 8 ROLL MACH.
6-17	OILITE BEARING #A1110 CHRYSLER CORP. AMPLEX DIV.	6-35	KNOCKOUT ROD 8 ROLL MACH.
6-18	IDLER STUD		



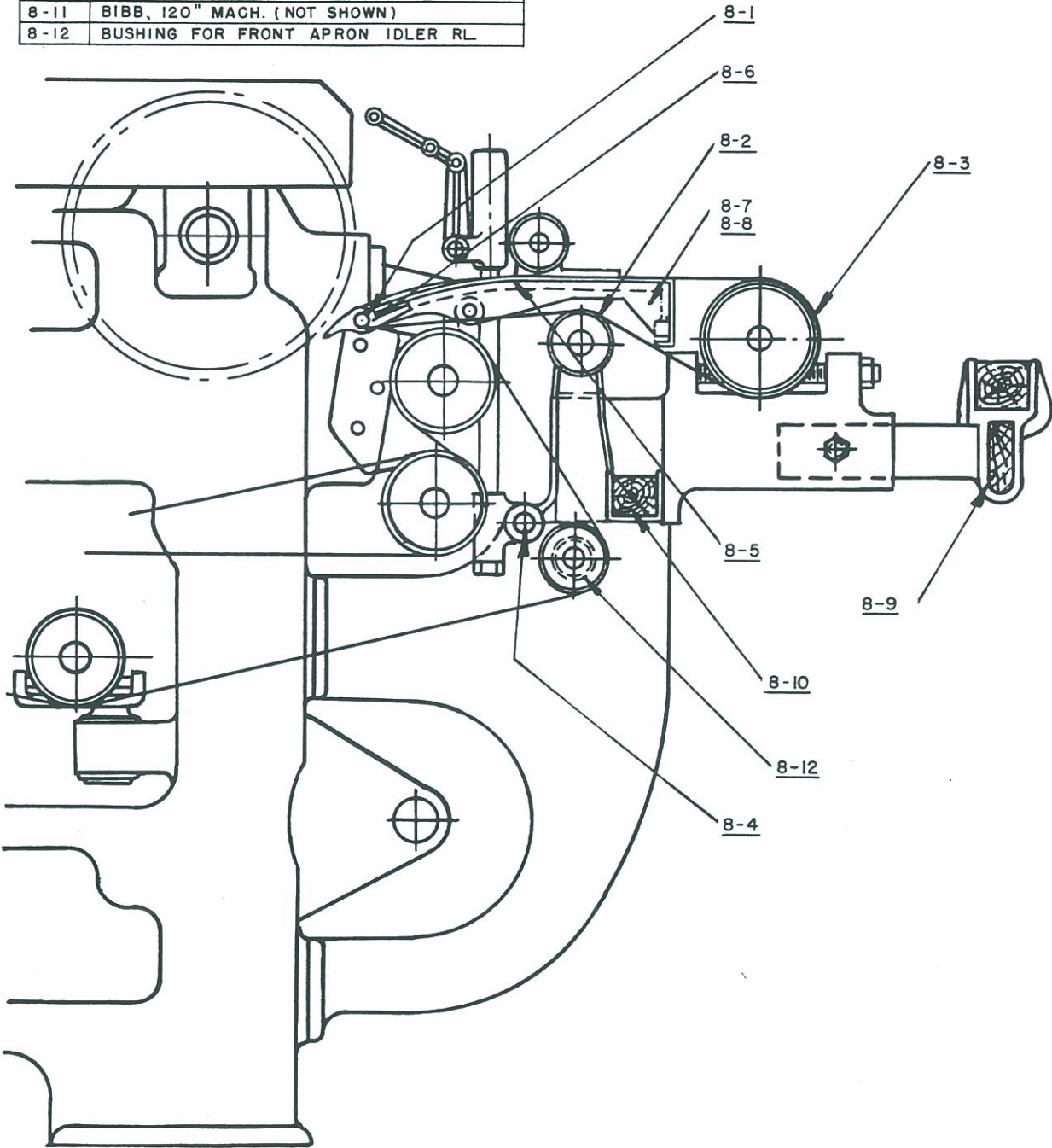
TYPICAL L.H. FRONT END (SIDE ELEVATION)  
8 ROLL SUPER SYLON F.W. IRONERS





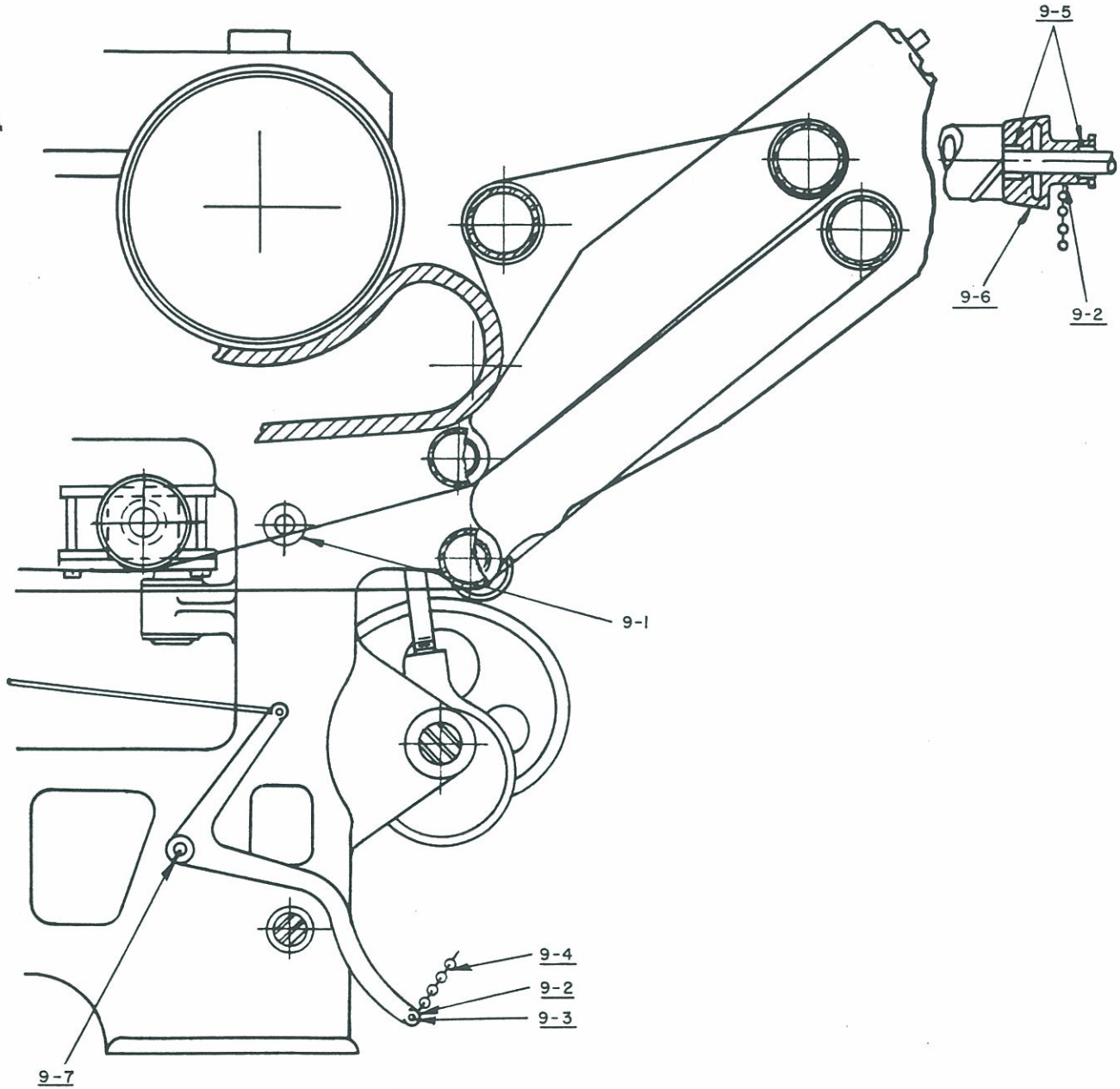
TYPICAL DELIVERY END (R.H.SIDE ELEV.)  
8 ROLL SUPER SYLON F.W. IRONER

ITEM	NAME OF PART
8-1	RIBBON SHAFT 120" MACH.
8-2	IDLE ROLL, 120" MACH.
8-3	RIBBON DRIVE ROLL, 120" MACH.
8-4	FINGER GUARD SHAFT, 120" MACH.
8-5	STEEL FEED BOARD ASSEM. 120" MACH.
8-6	FINGER
8-7	R. H. SUPPORT FOR FEED BOARD
8-8	L. H. SUPPORT FOR FEED BOARD
8-9	BIBB BAR, 120" MACH.
8-10	SQUARE BIBB BAR, 120" MACH.
8-11	BIBB, 120" MACH. (NOT SHOWN)
8-12	BUSHING FOR FRONT APRON IDLER RL



TYPICAL INSIDE SECTION, FRONT END  
8 ROLL SUPER SYLON F.W. IRONER

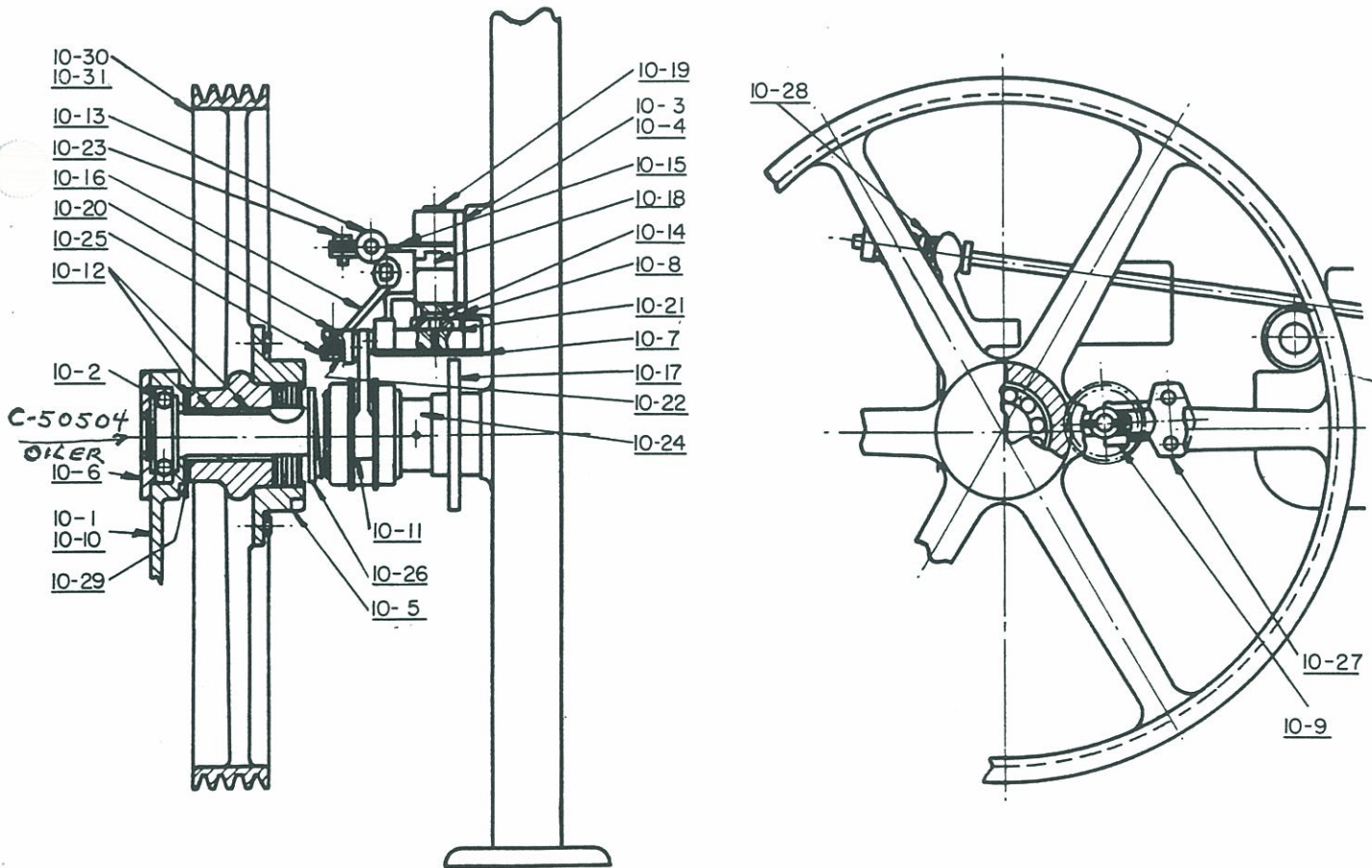
ITEM	NAME OF PART
9-1	WASHER, SPIRAL ROLL BRKT. PIN
9-2	CHAIN CONNECTION
9-3	PIN
9-4	CHAIN
9-5	NEEDLE FOR APRON GUIDE SPOOL
9-6	APRON GUIDE SPOOL
9-7	STUD



TYPICAL INSIDE SECTION, DELIVERY END  
8 ROLL SUPER SYLON F.W. IRONER

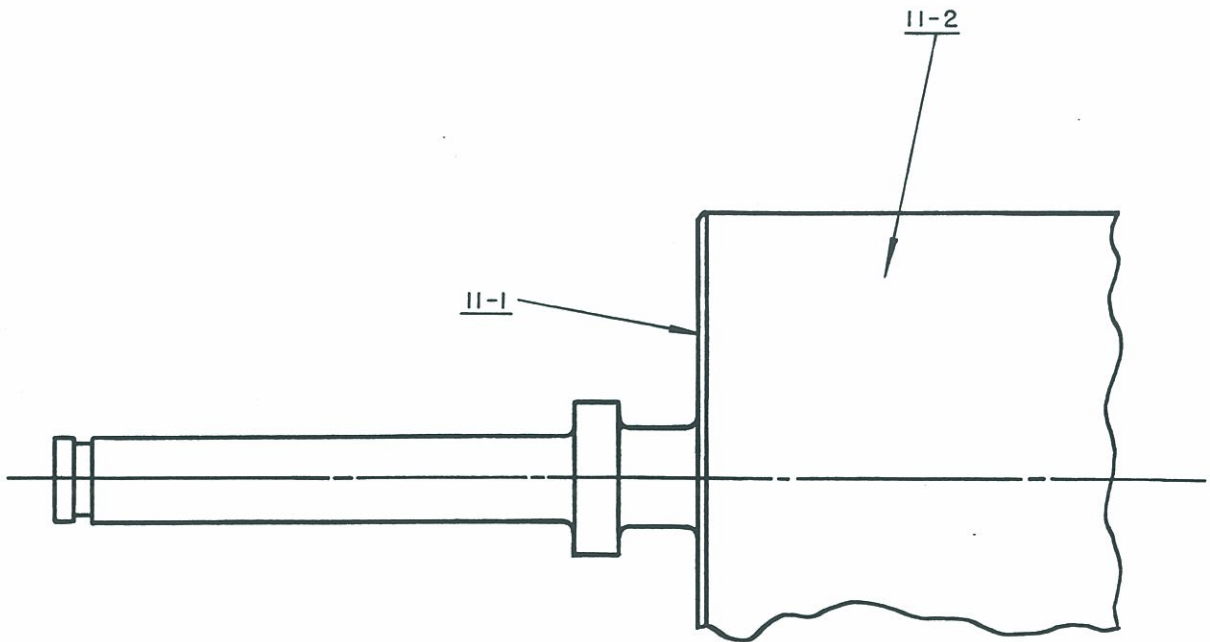
ITEM	NAME OF PART	ITEM	NAME OF PART
10-1	ASSEM. PULLEY BRKT. 4-6 & 8 ROLL	10-17	50T SPEED IND. DRIVE GEAR
10-2	BALL BEARING FOR PULLEY BRKT.	10-18	NOTCH COLLAR
10-3	ASSEM. OF CONE BRKT. 4-6 & 8 ROLL	10-19	SHAFT
10-4	CONE BRACKET (ALL MODS)	10-20	SHAFT FOR ROLLER
10-5	DISC HOUSING 4-6 & 8 ROLL	10-21	STUD FOR FORK
10-6	COVER	10-22	STUD FOR THROWOUT LEVER
10-7	PLATE FOR CONE BRKT.	10-23	STUD FOR LEVER
10-8	SLIDING PIECE	10-24	COLLAR ✓
10-9	UNIV. DRIVE HEAD 4 & 8 ROLL	10-25	ROLLER
10-10	PULLEY BRACKET 4-6 & 8 ROLL	10-26	ROCKFORD FRICTION CLUTCH 4,6,8 R.
10-11	FORK FOR FRICTION CLUTCH 4-6-8	10-27	SPEED INDICATOR PINION BRKT.
10-12	BUSHING FOR SHEAVE 4-6 & 8 ROLL	10-28	SPRING FOR THROWOUT LEVER
10-13	FORK FOR ROD	10-29	THRUST COLLAR ✓
10-14	CONE LEVER	10-30	SHEAVE ASSEM., 8 ROLL 60CY. (R.D.R.)
10-15	LEVER FOR CLUTCH	10-31	SHEAVE (MOTOR) STD.
10-16	THROWOUT LEVER ✓		

*adjusting spring for clutch*  
*C-21853*



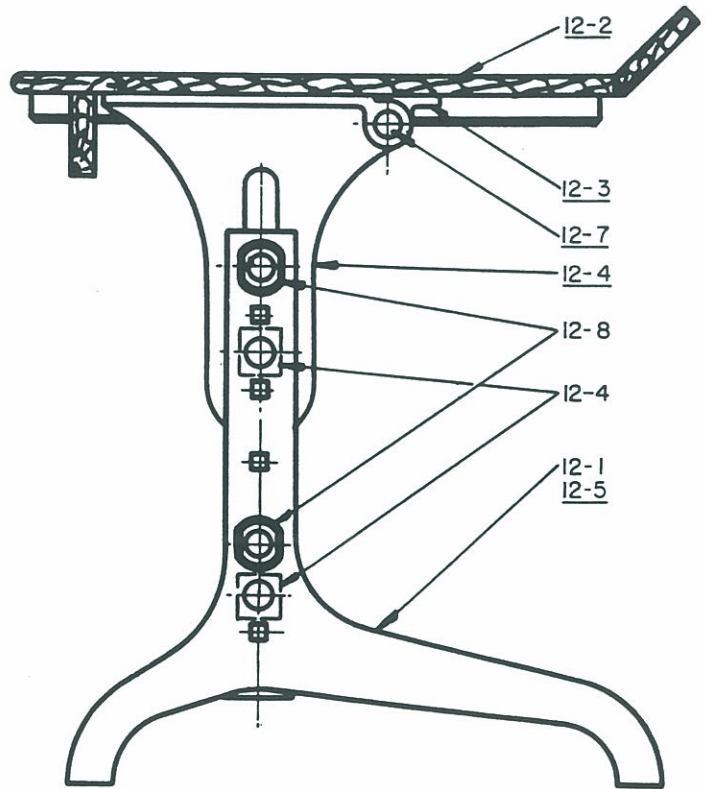
SECTION OF CLUTCH & DRIVE SHEAVE  
8 ROLL SUPER SYLON F.W. IRONERS

ITEM	NAME OF PART
11-1	ROLL (STD. PADDING) 120"
11-2	PADDING (STD. ROLL) 120"



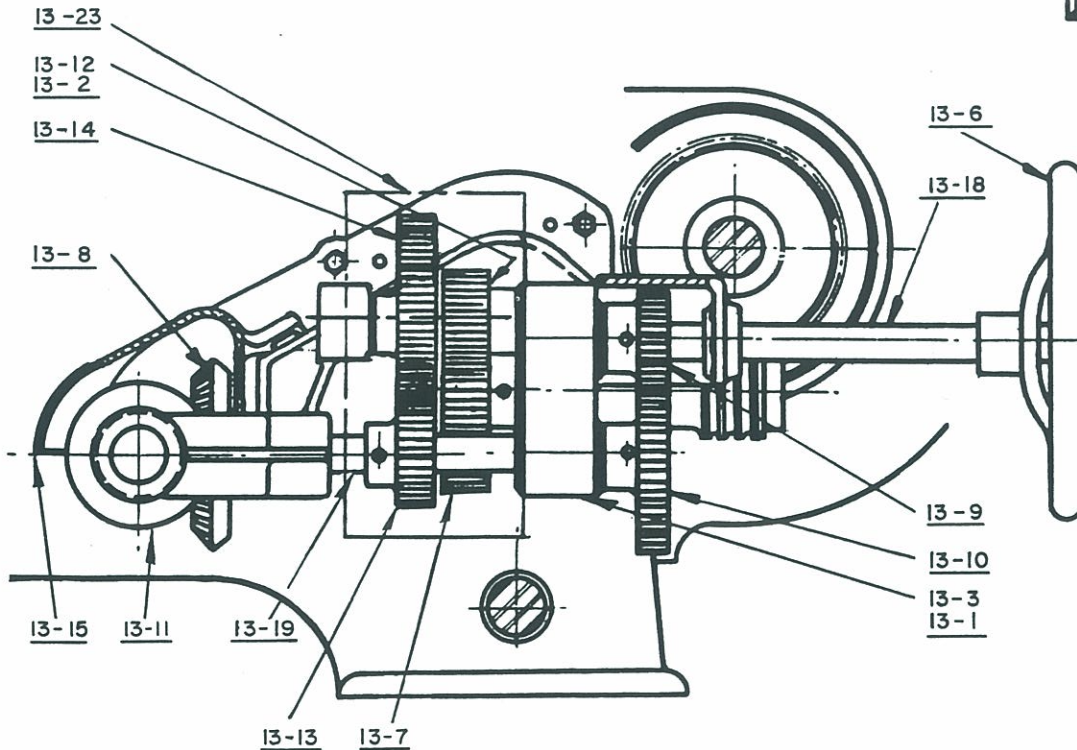
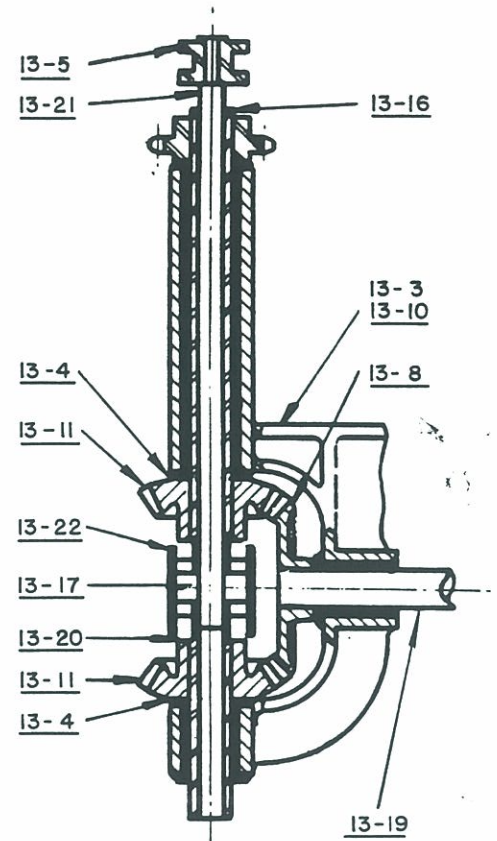
ROLLS & PADDING LISTS  
8 ROLL SUPER SYLON FW. IRONER

ITEM	NAME OF PART
I2- 1	ADJUSTABLE TABLE LEG ASSEM.
I2- 2	DELIVERY TABLE 120"
I2- 3	BRACKET
I2- 4	CAST IRON WASHER
I2- 5	FOOT FOR ADJ. LEG
I2- 6	TOP FOR ADJ. LEG
I2- 7	HINGE PIN
I2- 8	TIE PIN



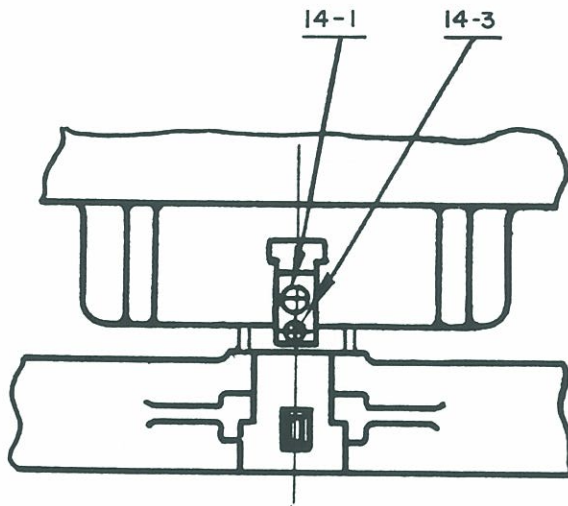
DELIVERY TABLE  
8 ROLL SUPER SYLON FW. IRONER

ITEM	NAME OF PART
13-1	RAISING RIG ASSEM.
13-2	SPUR GEAR ASSEM. INTER. SHAFT
13-3	MAIN BRACKET
13-4	THRUST BRG. FOR PINION
13-5	SHIFTER SPOOL
13-6	HAND WHEEL
13-7	34T 5P SPUR WHEEL
13-8	BEVEL GEAR
13-9	14T 5P SPUR GEAR (MEEH.)
13-10	32T 5P SPUR GEAR (MEEH.)
13-11	BEVEL PINION
13-12	14T 5P SPUR GEAR (STL.)
13-13	14T 5P SPUR GEAR (STL.),
13-14	20T 5P SPUR GEAR (STL.)
13-15	BEVEL GEAR COVER
13-16	CLUTCH SHAFT
13-17	CLUTCH KEY
13-18	HAND WHEEL SHAFT
13-19	GEAR SHAFT
13-20	SPRING FOR SPACER
13-21	SHIFTER ROD
13-22	SPACER FOR CLUTCH GEAR
13-23	GUARD FOR RAISE RIG

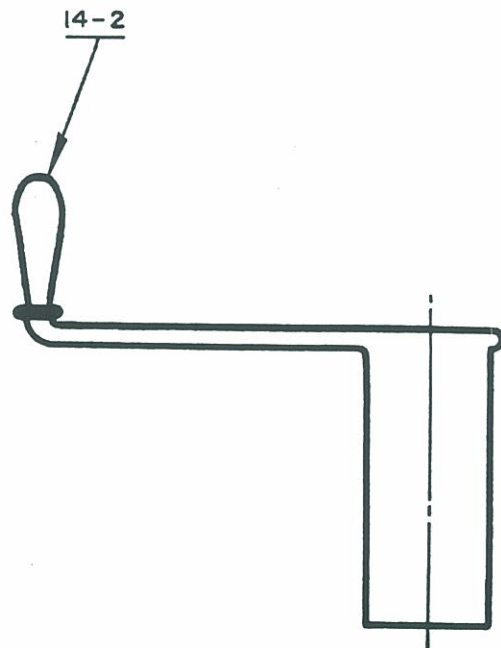


RAISING RIG ASSEMBLY  
8 ROLL SUPER SYLON F.W. IRONERS

ITEM	NAME OF PART
14-1	GUIDE FOR CHESTS
14-2	CRANK FOR HAND DRIVE 4-6 & 8 ROLL
14-3	PIN FOR GUIDE BLOCK



METHOD OF MOUNTING CHESTS



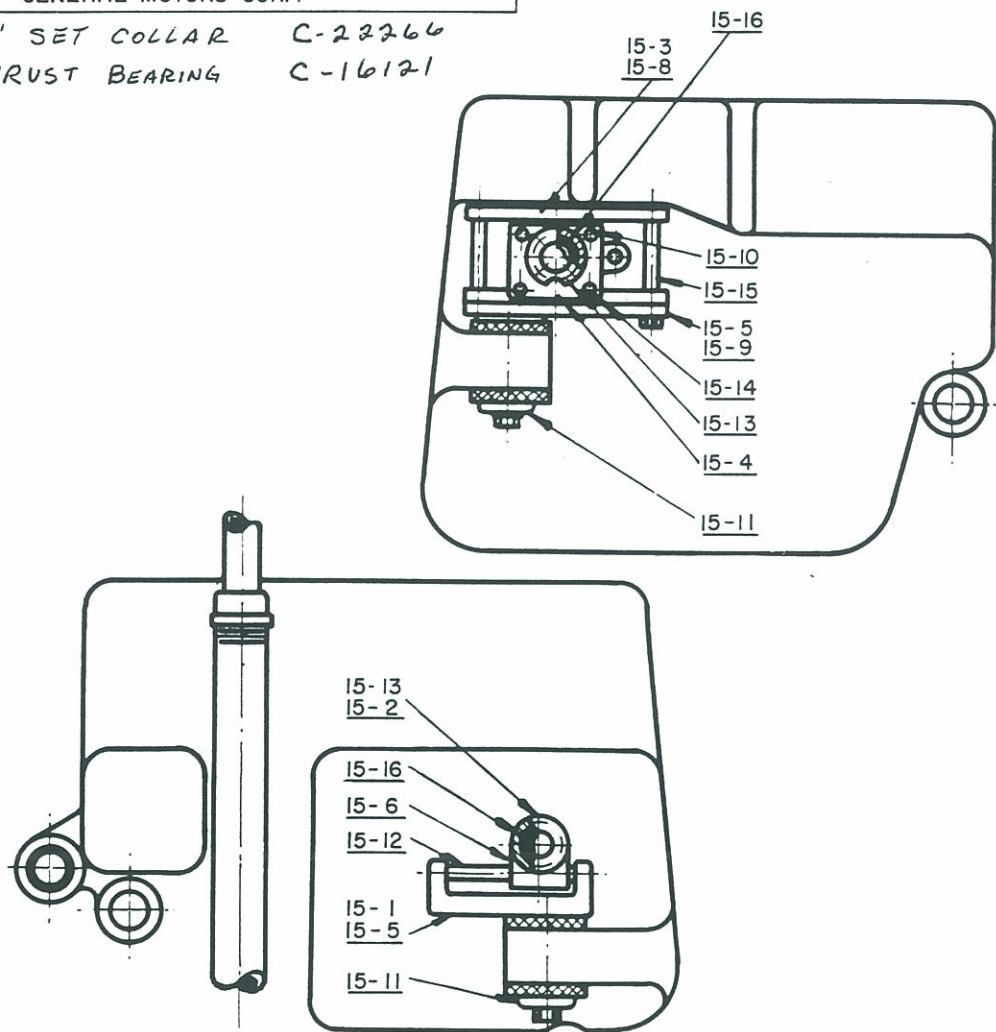
HAND CRANK

MISCELLANEOUS PARTS  
8 ROLL SUPER SYLON F.W. IRONERS



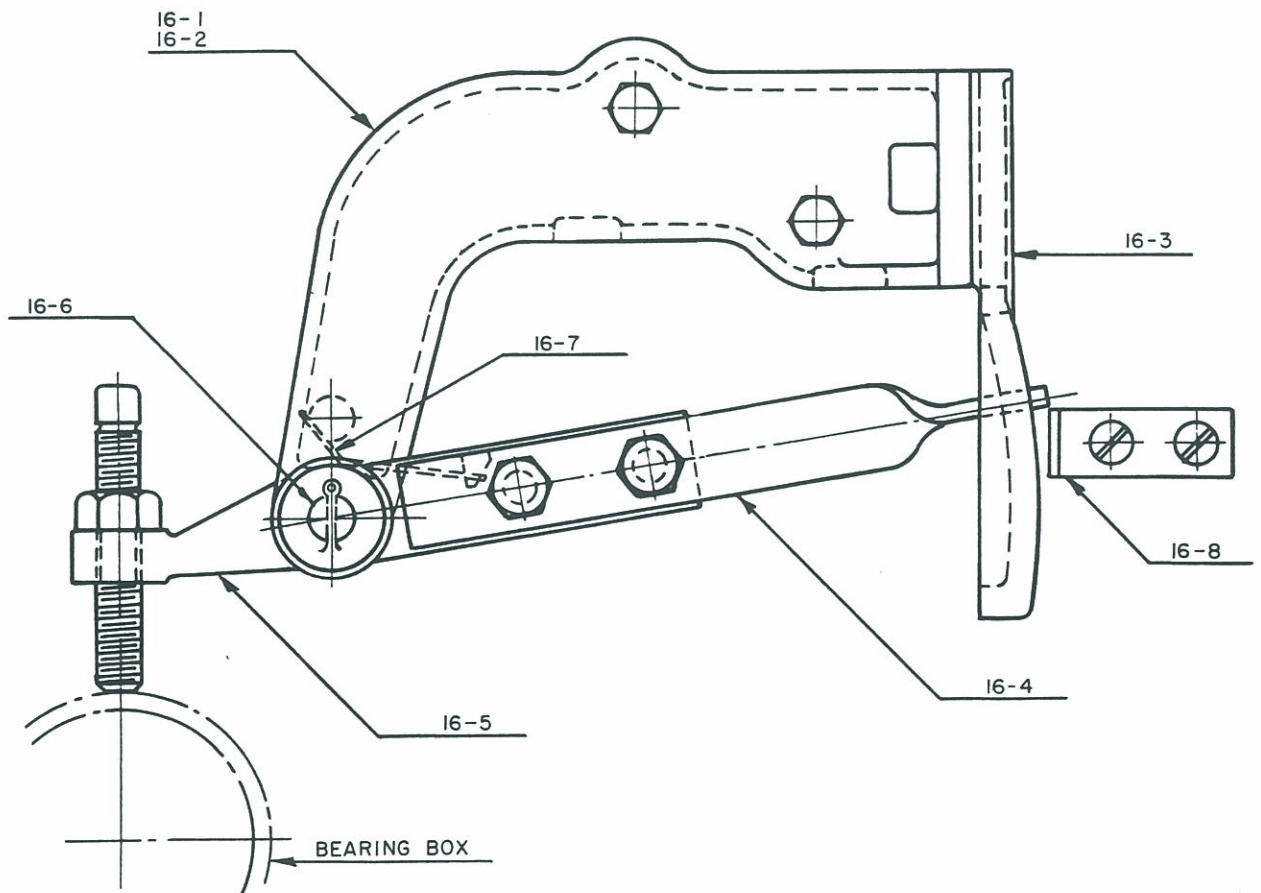
ITEM	NAME OF PART
15-1	ADJ. BOX APRON GUIDE ASSEM.
15-2	ASSEM. BOX
15-3	AUTO. ADJ. BOX ASSEM.
15-4	APRON BOX ASSEM.
15-5	APRON GUIDE ADJUSTER
15-6	GUIDE BOX
15-7	GUIDE BOX
15-8	BAR
15-9	GUIDE SLIDE
15-10	ROLLERS
15-11	WASHER
15-12	SHAFT
15-13	PLATE
15-14	PINS
15-15	STUD
15-16	BEARING, HP-95424 · HYATT BEARING DIV. GENERAL MOTORS CORP.

7/8" SET COLLAR C-22266  
 THRUST BEARING C-16121



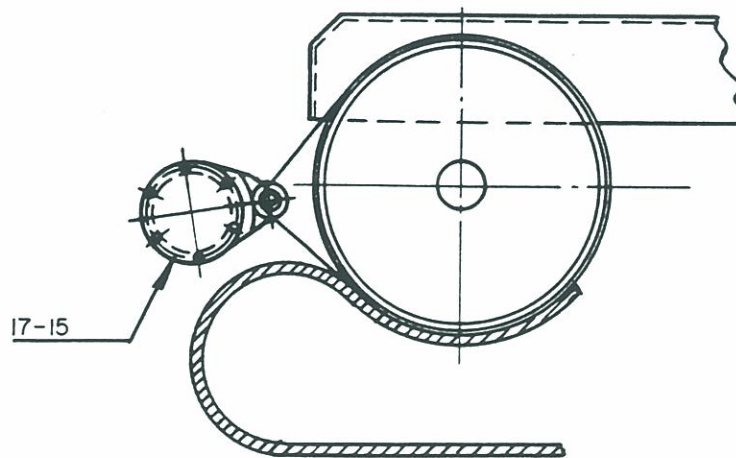
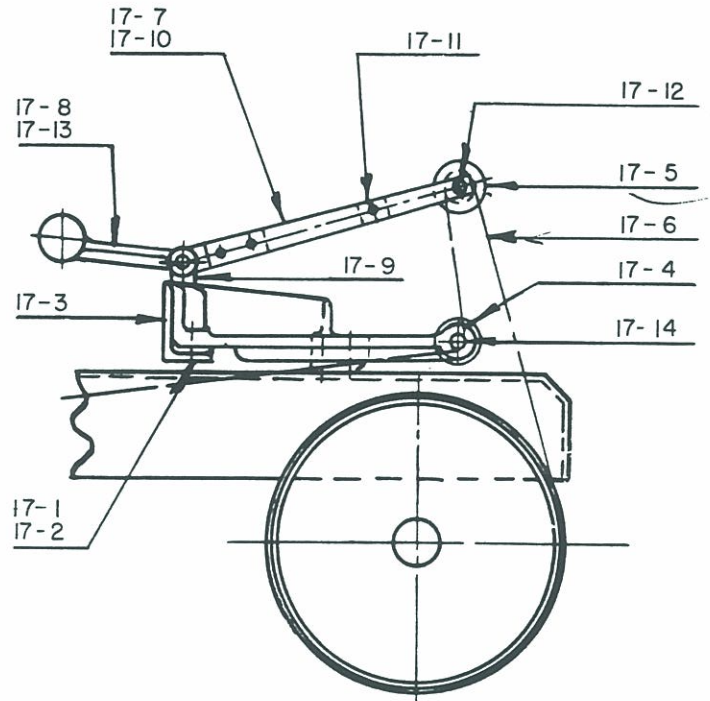
GUIDE ROLL BOX ASSEMBLIES  
8 ROLL SUPER SYLON F.W. IRONER

ITEM	NAME OF PART
16-1	PRESSURE INDICATOR ASSEMBLY
16-2	BRACKET
16-3	DIAL
16-4	POINTER
16-5	LEVER
16-6	STUD
16-7	SPRING
16-8	INDEX



IRONING PRESSURE INDICATOR  
8 ROLL SYLON & SUPER SYLON, F.W. IRONERS

ITEM	NAME OF PART
17-1	R.H. BRKT. FOR SPOOL
17-2	L.H. BRKT. FOR SPOOL
17-3	SPOOL ARM SUPPORT (120")
17-4	SPOOL STOP
17-5	WOOD SPOOL
17-6	TAPE
17-7	SPOOL ARM ASSEM.
17-8	COUNTERWEIGHT
17-9	HOLDER
17-10	STRIP
17-11	SPACER
17-12	STUD
17-13	PIN
17-14	SPOOL ROD ASSEM. (120")
17-15	TAPE BAR BRACKET
17-16	STAPLER (NOT SHOWN)
17-17	STAPLES (NOT SHOWN)



TAPE DEVICE  
8 ROLL SUPER SYLON FW. IRONER

ITEM	NAME OF PART	ITEM	NAME OF PART
18-1	Swing Joint Body	18-8	Vacuum Nut
18-2	Swing Joint Cover	18-9	Graphite Packing
18-3	Vacuum Top Hat Packing	18-10	Manifold Bracket
18-4	Vacuum Split Ring	18-11	Graphite Packing
18-5	Lower Vacuum Pipe	18-12	Clamp Ring
18-6	Upper Vacuum Pipe	18-13	Blower (Not Shown)
18-7	Vacuum Manifold		

18-1  
18-2  
18-3  
18-4

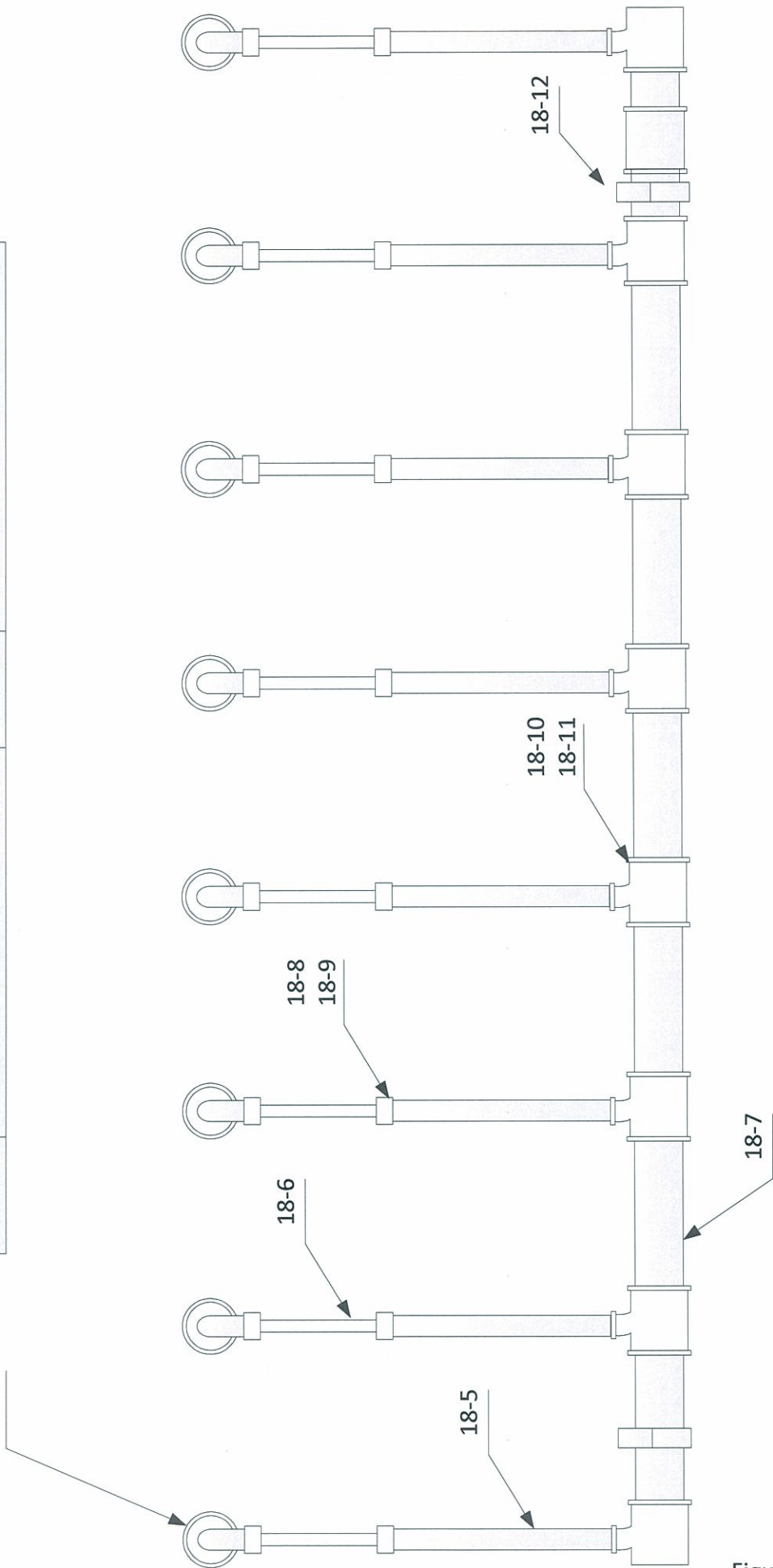


Figure 18

Drawing No.	Qty for 8 Roll	Part Number	Description	Remarks
1-1	1	IR-128-50	Right Hand Frame	
1-2	2	IR-3118-1055	Bushing for Main Drive Shaft on Drive Side (2 Required)	
1-3	8	IR-3116-1288	Idle Roll Bushing	
1-4	2	IR-3116-1299	Bushing, Intermediate Shaft	
Option	1	IR-118-42-A	Intermediate Shaft Conversion Kit	Used in place of IR-3116-1299 if the shaft has cut into the frame
1-5	2	IR-128-626	Idle Stub Shaft for Needle Bearings 2" x 9 5/8"	
	2	IR-STUD-04	Idle Stub Shaft for Brass Bushings 1 15/16" x 9 5/8"	
1-6	3	IR-128-627	Drive Stub Shaft for Needle Bearings 2" x 10 5/8"	
	3	IR-STUD-05	Idle Stub Shaft for Brass Bushings 1 15/16" x 10 5/8"	
1-7	1	IR-126-66	Conversion Stub Shaft for Needle Bearings 2" x 12-5/8"	
	1	IR-128-628	Conversion Stub Shaft for Needle Bearings 2" x 11-5/8"	
	1	IR-128-627LONG	Conversion Stub Shaft for Needle Bearings 2" x 15 1/8"	
	1	IR-STUD-04	Idle Stub Shaft for Brass Bushings 1 15/16" x 11 5/8"	
1-8	1	IR-3118-0414	80th Gear w/24th Sprocket	
1-9	1	IR-GEAR-13	80TH Gear without 24 tooth Sprocket 1 15/16"	
1-10	1	IR-110-424	24T Sprocket	
1-11	1	IR-128-42	Intermediate Shaft Right Hand Side 12 Tooth Sprocket	
	1	IR-118-42-B	Intermediate Shaft Right Hand Side 12 Tooth Sprocket when Intermediate Shaft Conversion Kit is used	
1-12	2	IR-128-46	80TH Idler Gear with Needle Bearing	
	2	IR-GEAR-25	80TH Idler Gear with Brass Bushing	
1-13	Not available for purchase. Must use IR-128-46			
1-14	14	IR-C-16039	Needle Bearing for 80TH Gear	2 required per gear
	14	IR-3116-1339	Brass Bushing for 80 TH Gear	2 required per gear
1-15	3	IR-128-042	80TH gear with 12TH sprocket with Needle Bearing	
	3	IR-110-041	80TH gear with 12TH sprocket with Brass Bushing	
1-16	3	IR-3118-443	Gear, 80TH, 5P, 3-7/8" Bore with Keyway	
1-17	3	IR-128-444	12th Hub with Needle Bearing for IR-3118-443	
	3	IR-110-430	12th Hub with Brass Bushing for IR-3118-443	
1-18	14	IR-C-16039	Needle Bearing for 80TH Gear	2 required per gear
	14	IR-3116-1339	Brass Bushing for 80 TH Gear	2 required per gear

Figure 1

Drawing No.	Qty for 8 Roll	Part Number	Description	Remarks
1-19	1	Obsolete	216TH Herringbone with Hub	
1-20	1	Obsolete	216TH Herringbone	
1-21	1	IR-3118-6164	Intermediate Shaft for 120" Super Sylon	
1-22	8	IR-1382548	Padded Roll Sprocket, 34th/80#	
1-23	4	80-Chain	80 Chain cut to 92 Links	
1-24	1	IR-110-422	15TH 3/4P for Raising Rig	
1-25		Obsolete		
1-26	6	IR-110-130	Eccentric	
1-27	6	IR-110-131	Eccentric Strap	
1-28	6	IR-128-674	Eccentric Rod Coarse Thread	
1-29	6	IR-128-604	Pressure Bar guide Rod (Support Stud)	
1-30	6	Obsolete	Tie Rod	Must make to order
1-31	1	IR-3118-430	Herringbone Pinion	
1-32	2	IR-3118-05017	Pressure Bar	
1-33		Obsolete		
1-34	1	IR-3118-6121	Main Drive Shaft	Verify Type of Clutch
1-35	1	Obsolete	Front Eccentric Shaft	Must make to order
1-36	1	Obsolete	Center Eccentric Shaft	Must make to order
1-37	1	Obsolete	Rear Eccentric Shaft	Must make to order
1-38	4	IR-1395789	15th Sprocket, 80# chain for Chain Bucket	
1-39	4	IR-110-636	Stud for Chain Bucket Sprocket	
1-40	1	60-Chain	60 Chain Cut to 92 Links	

Figure 1

<b>Drawing No.</b>	<b>Qty for 8 Roll</b>	<b>Part Number</b>	<b>Description</b>	<b>Remarks</b>
2-1	1	IR-128-51	Left Hand Frame	
2-2	8	IR-3116-1288	Idle Roll Bushing	
2-3	2	IR-3116-1299	Bushing, Intermediate Shaft	
Option	1	IR-118-42-A	Intermediate Shaft Conversion Kit	Used in place of IR-3116-1299 if the shaft has cut into the frame
2-4	2	IR-3118-05017	Pressure Bar	
2-5		Obsolete	Adjusting Bolt	

Figure 2

Drawing No.	Qty for 8 Roll	Part Number	Description	Remarks
3-1	2	IR-110-082-5-120	Apron Drive Roll	
	2	IR-110-082-CONVERSION	Apron Drive Roll for C&W Conversions	
3-2	1	IR-110-086-3.5-120-A	Sort Spiral Roll	
3-3	2	IR-3118-0581-120-A	Spiral Roll	
3-4	2	IR-110-089-4.5-120	Apron Guide Roll	
3-5	1	IR-110-800-120	Front Apron Idler Roll	
3-6	4	IR-3116-0885-3-120	Apron Idler Roll	
3-7	1	Number 1 Chest	Must buy used	
3-8	1	Number 2 Chest	Must buy used	
3-9	1	Number 3 Chest	Must buy used	
3-10	1	Number 4 Chest	Must buy used	
3-11	1	Number 5 Chest	Must buy used	
3-12	1	Number 6 Chest	Must buy used	
3-13	1	Number 7 Chest	Must buy used	
3-14	1	Number 8 Chest	Must buy used	
3-15	1	Upper Apron	Purchased Through Tingue Brown	
3-16	1	Lower Apron	Purchased Through Tingue Brown	
3-17		Obsolete		
3-18		Obsolete		
3-19		Obsolete		
3-20	2	IR-116-20	Weight	
3-21	1	IR-3118-204	Bell Crank Rear Right Hand (Drive) Side	
3-22	2	IR-116-21	Center Bell Crank	
3-23	1	IR-110-40	Rear Worm	
3-24	2	IR-110-41	Front and Center Worm	
3-25	1	IR-110-43	Rear Worm Gear	
3-26	2	IR-110-421	Front/Center Worm Gears	
3-27		Obsolete		
3-28	1	IR-3118-635	Short Stud Counter Weight	
3-29	1	IR-118-627	Apron Guide Connecting Rod Right Side from Center Bell Crank to Movable Guide Box	

Figure 3



Drawing No.	Qty for 8 Roll	Part Number	Description	Remarks
3-30	1	IR-31140-61	Apron Guide Roll Connecting Rod from Rear Bell Crank to Center Bell Crank	
3-31		Obsolete		
3-32		Obsolete		
3-33		IR-128-0700	Steam Manifold Does Not Include any Hoses	
3-34		Obsolete		
3-35		Obsolete		
3-36		Obsolete		
3-37		Obsolete		

Figure 3

Drawing No.	Qty for 8 Roll	Part Number	Description	Remarks
4-1	2	IR-116-20	Weight	
4-2	2	IR-116-21	Center Bell Crank	
4-3	1	IR-3118-635	Short Stud Counter Weight	
4-4	1	IR-128-0701	Steam Manifold Return L.H. Side Does Not Include Traps or Hoses	
4-5	1	IR-116-22	Bell Crank Rear Left Hand (Vacuum) Side	
4-6	1	IR-116-632	Short Connecting Rod From Left Rear Bell Crank to Center Bell Crank	
4-7	1	IR-116-630	Short Upper Connecting Rod From Center Bell Crank to Left Movable Guide Box	
4-8		Obsolete		

Figure 4

Drawing No.	Qty for 8 Roll	Part Number	Description	Remarks
5-1		Obsolete		
5-2		Obsolete		
5-3		Obsolete		
5-4		Obsolete		
5-5	1	IR-3116-1091	Shifter Spool Super Sylon/ Sylon/ Streamline	
5-6		Obsolete		
5-7	1	IR-128-0106	Safety Bar Bracket Right Side	
5-8		Obsolete		
5-9	1	IR-3116-1043	Coupling for Safety Rod	
5-10		Obsolete		
5-11		Obsolete		
5-12		Feed Belts	Sold by Tingue Brown	
5-13		Obsolete		
5-14	2	IR-3116-01048	Feed Ribbon Roll Bracket	
5-15	2	IR-3116-6418	Feed Ribbon Bracket Shaft	
5-16		Obsolete		
5-17		Obsolete		
5-18	1	IR-128-639	Safety Board Assembly	
5-19	2	IR-118-102	OEM Apron Drive Roll Bracket	
5-20	2	IR-118-102-CONVERSION	Apron Drive Roll Conversion Complete with Bearings	
	4	IR-3118-1088	Apron Drive Roll Bushing for OEM Bracket	
	4	IR-118-102BRG	Flange Bearing for IR-118-102 Conversion	
5-21		Obsolete		
5-22	2	IR-118-102	OEM Apron Drive Roll Bracket	
5-23		Obsolete		
5-24	4	IR-118-20	Chain Bucket	
5-25	2	IR-3116-1329	Feed Roll Bushing	
5-26	4	IR-118-615	Swivel Knuckle	
5-27	4	IR-110-636	Stud for Chain Bucket Sprocket	
5-28	6	IR-31140-65	Large Pressure Bar Pin	
5-29	16	IR-3116-652	Roll Box Pin	
5-30	4	IR-285-606	Chain Bucket Spring	

Figure 5

Drawing No.	Qty for 8 Roll	Part Number	Description	Remarks
5-31	4	IR-118-620	Pressure Bar pin for Chain Bucket Rod	
5-32	4	IR-110-635	Bolt for Chain Bucket	
5-33		Obsolete		
5-34	4	IR-118-70	Chain Bucket Rod Spacer	
5-35		Obsolete		
5-36		Obsolete		
5-37		Obsolete		
5-38	1	IR-118-20	Clutch Shifter	
5-39		Obsolete		
5-40	4	IR-128-69	Chain Bucket Rod	
5-41	1	IR-128-14	R.H. Feed Board Bracket	

Figure 5

Drawing No.	Qty for 8 Roll	Part Number	Description	Remarks
6-1	16	IR-3118-657	Roll Box Pressure Spring	
6-2	16	IR-3116-6021	Bolt for Pressure Bar	
6-3	16	IR-3116-121	Roll Box Spring Cap	
6-4	1	IR-128-0107	Safety Bar Bracket L.H.	
6-5		Obsolete		
6-6	1	IR-3116-1043	Coupling for Safety Rod	
6-7		Obsolete		
6-8		Obsolete		
6-9		Obsolete		
6-10		Obsolete		
6-11		Obsolete		
6-12	2	IR-118-102	OEM Apron Drive Roll Bracket	
	2	IR-118-102-CONVERSION	Apron Drive Roll Conversion Complete with Bearings	
6-13	4	IR-3118-1088	Apron Drive Roll Bushing for OEM Bracket	
	4	IR-118-102BRG	Flange Bearing for IR-118-102 Conversion	
6-14	4	IR-3118-1088	Apron Drive Roll Bushing for OEM Bracket	
	4	IR-118-102BRG	Flange Bearing for IR-118-102 Conversion	
6-15	1	IR-Sprocket-21	32th Feed Roll Sprocket	
6-16	1	IR-3118-0419	15TH Idler Sprocket	
6-17		Obsolete		
6-18	1	IR-3118-6118	Feed Chain Idler Sprocket Stud	
6-19	2	IR-118-44	Apron Drive Roll, 31th/60# Sprocket	
6-20		Obsolete		
6-21		Obsolete		
6-22	16	IR-128-012-CI	Cast Iron Roll Box Assembly with Bushing	
	16	IR-128-012	Brass Roll Box	
6-23	1	IR-128-15	L.H. Feed Board Bracket	
6-24		Obsolete		
6-25		Obsolete		
6-26		Obsolete		
6-27		Obsolete		
6-28		Obsolete		

Figure 6

Drawing No.	Qty for 8 Roll	Part Number	Description	Remarks
6-29		Obsolete		
6-30		Obsolete		
6-31		Obsolete		
6-32	1	IR-128-47	20TH Intermediate Shaft Sprocket	
	1	IR-128-47-A	20TH Intermediate Shaft Sprocket for Intermediate Shaft Conversions	
6-33	1	60-Chain	60 Chain 148 Links	
6-34		Obsolete		
6-35		Obsolete		

Figure 6

Drawing No.	Qty for 8 Roll	Part Number	Description	Remarks
7-1		Obsolete		
7-2		Obsolete		
7-3		Obsolete		
7-4		Obsolete		
7-5		Obsolete		
7-6	4	IR-3118-0117	Bearing Housing Complete	
7-7	4	IR-3118-0115	Bearing Housing Only	
7-8	4	IR-3118-1016	Spiral Bearing Retainer	
7-9	4	IR-3118-1017	Cover Grease Cap for Spiral Roll Bearing	
7-10	4	IR-3116-1266	Pointer	
7-11		Obsolete		
7-12	6	IR-C-16055	Spiral Roll / Harp Bearings	
7-13	4	IR-3118-1019	Spring Support	
7-14	2	IR-3116-6164	Harp Cam Roller	
7-15	2	IR-3116-6165	Small Threaded Pin for Harp Roller	
7-16	4	IR-3118-6075	Screw Rod for Harps	
7-17	4	IR-3118-6076	Guide Rod for Harps	
7-18	8	IR-3118-6077	Spring for Harps	
7-19		Obsolete		
7-20		Obsolete		
7-21		Obsolete		
7-22	1	IR-118-22	Left Hand Lever	
7-23	1	IR-118-23	Right Hand Lever	
7-24	1	IR-3118-1021	Cover	
7-25		Obsolete		
7-26		Obsolete		
7-27		Obsolete		
7-28	2	IR-1378033	Tape Bar Brackets for 3/4" pipe	
7-29	2	IR-3116-651	Frame Pin for Harp	
7-30	4	IR-3118-202	Crank/Handle	
7-31	2	Obsolete		
7-32	2	IR-118-626	Pivot Stud	
7-33	6	IR-31140-65	Large Pressure Bar Pin	

Figure 7

Drawing No.	Qty for 8 Roll	Part Number	Description	Remarks
8-1	1	IR-3116-6541	Feed Board Finger Rod	
8-2	1	IR-31140-0848	Feed Ribbon Idler Roll	
8-3	1	HP-141-086-6-126	Feed Drive Roll	
8-4		Obsolete		
8-5	1	IR-128-0602	Feed Board Assembly	
8-6	46	IR-128-617	Feed Ribbon Guide Finger	
8-7		Obsolete		
8-8		Obsolete		
8-9		Obsolete		
8-10		Obsolete		
8-11		Obsolete		
8-12	2	IR-1391085	Front Apron Idler Roll Bushing	

Figure 8



Drawing No.	Qty for 8 Roll	Part Number	Description	Remarks
9-1	2	IR-3116-636	Washer, Spiral Roll Bracket Pin	
9-2		Obsolete		
9-3		Obsolete		
9-4		Obsolete		
9-5	160	IR-3118-6181	Cone Needle Bearings	
9-6	2	IR-1399062	Cone	
9-7	2	IR-31140-6079	Stud for Bell Crank Located On Center RH Rear	

Figure 9

Drawing No.	Qty for 8 Roll	Part Number	Description	Remarks
10-1		Obsolete		
10-2	1	IR-3118-0130	Clutch Arm Roller Bearing	
10-3		Obsolete		
10-4		Obsolete		
10-5		Obsolete		
10-6		Obsolete		
10-7		Obsolete		
10-8		Obsolete		
10-9		Obsolete		
10-10		Obsolete		
10-11		Obsolete		
10-12	1	IR-3116-1339	Bushing for Sheave 4, 6 & 8	
10-13	1	IR-118-23	Fork for Rod	
10-14		Obsolete		
10-15		Obsolete		
10-16		Obsolete		
10-17		Obsolete		
10-18		Obsolete		
10-19		Obsolete		
10-20	1	IR-3118-6035	Stud for Roller	
10-21		Obsolete		
10-22		Obsolete		
10-23		Obsolete		
10-24		Obsolete		
10-25	1	IR-3118-848	Roller Throw out Lever	
10-26		Obsolete		
10-27		Obsolete		
10-28		Obsolete		
10-29		Obsolete		
10-30		Obsolete		
10-31		Obsolete		

Figure 10

Drawing No.	Qty for 8 Roll	Part Number	Description	Remarks
11-1		Obsolete		
11-2		Pads and Covers	Purchased Through Tingue Brown	

Figure 11

Drawing No.	Qty for 8 Roll	Part Number	Description	Remarks
12-1		Obsolete		
12-2		Obsolete		
12-3		Obsolete		
12-4		Obsolete		
12-5		Obsolete		
12-6		Obsolete		
12-7		Obsolete		
12-8		Obsolete		

Figure 12

Drawing No.	Qty for 8 Roll	Part Number	Description	Remarks
13-1		Obsolete		
13-2		Obsolete		
13-3		Obsolete		
13-4		Obsolete		
13-5	1	IR-3116-1091	Shifter Spool	
13-6		Obsolete		
13-7		Obsolete		
13-8		Obsolete		
13-9		Obsolete		
13-10		Obsolete		
13-11		Obsolete		
13-12		Obsolete		
13-13		Obsolete		
13-14		Obsolete		
13-15		Obsolete		
13-16		Obsolete		
13-17		Obsolete		
13-18		Obsolete		
13-19		Obsolete		
13-20		Obsolete		
13-21		Obsolete		
13-22		Obsolete		

Figure 13

Drawing No.	Qty for 8 Roll	Part Number	Description	Remarks
14-1		Obsolete		
14-2		Obsolete		
14-3		Obsolete		

Figure 14

Drawing No.	Qty for 8 Roll	Part Number	Description	Remarks
15-1		Obsolete		
15-2		Obsolete		
15-3	2	IR-3116-01025	Movable Guide Box Assembly	
15-4		Obsolete		
15-5		Obsolete		
15-6	2	IR-3116-1284	Stationary Guide Box	
15-7		Obsolete		
15-8	2	IR-3116-1286	Guide Bar	
15-9		Obsolete		
15-10	8	IR-3116-633	Roller, Apron Guide Box	
15-11	2	IR-3116-636	Washer	
15-12	2	IR-3116-6070	Shaft	
15-13	8	IR-3116-6364	Plate for Guide Assembly	
15-14	8	IR-3116-6365	Roller Pin	
15-15	4	IR-3116-6367	Guide Assembly Pin	
15-16	4	IR-Bearing-08	Guide Roll Guide Box Bearing & Sleeve	

Figure 15

Drawing No.	Qty for 8 Roll	Part Number	Description	Remarks
16-1		Obsolete		
16-2		Obsolete		
16-3		Obsolete		
16-4		Obsolete		
16-5		Obsolete		
16-6		Obsolete		
16-7		Obsolete		
16-8		Obsolete		

Figure 16



Drawing No.	Qty for 8 Roll	Part Number	Description	Remarks
17-1	1	IR-3116-1440	Right Hand Bracket for Spool Arm Assembly	
17-2	1	IR-3116-1339	Leftt Hand Bracket for Spool Arm Assembly	
17-3	1	IR-126-600	Spool Arm Angel Iron Support	
17-4		Obsolete		
17-5	20	IR-1183235	Wool Tape Spools	
17-6		Tingue Brown		
17-7	10	IR-126-010	Spool Arm Complete	
17-8	10	IR-126-11	Counter Weight	
17-9	10	IR-126-12	Holder/Support	
17-10	20	IR-126-13	Strip (Requires 2 per Spool Arm)	
17-11	40	IR-Collar-01	5/16 Collar	
17-12	10	IR-126-69	Stud for Spool Arm	
17-13	10	IR-609-621	Lower Pin for Spool Arm	
17-14	1	IR-126-065	Rod, Tape Spool	
17-15	2	IR-1378033	Brackets for 3/4" pipe	
17-16		Obsolete		
17-17		Obsolete		

Figure 17

Drawing No.	Qty for 8 Roll	Part Number	Description	Remarks
18-1	8	IR-31116-730	Swing Joint Body	
18-2	8	IR-31116-731	Swing Joint Cover	
18-3	8	IR-31116-982	Vacuum Top Hat Packing	
18-4	8	IR-311140-73	Vacuum Split Ring	
18-5	8	IR-110-703	Lower Vacuum Pipe	
18-6	8	IR-311140-703	Upper Vacuum Pipe	
18-7	1	IR-126-070	Vacuum Manifold	
18-8	8	IR-311140-705	Vacuum Nut	
18-9	8	IR-311140-942	Graphite Packing	
18-10	4	IR-31118-1002	Manifold Bracket (2 per bracket)	
18-11	16	IR-311140-941	Graphite Packing	
18-12	14	IR-311140-79	Clamp Ring	
18-13	1	IR-Blower	Blower	
18-14				
18-15				
18-16				
18-17				